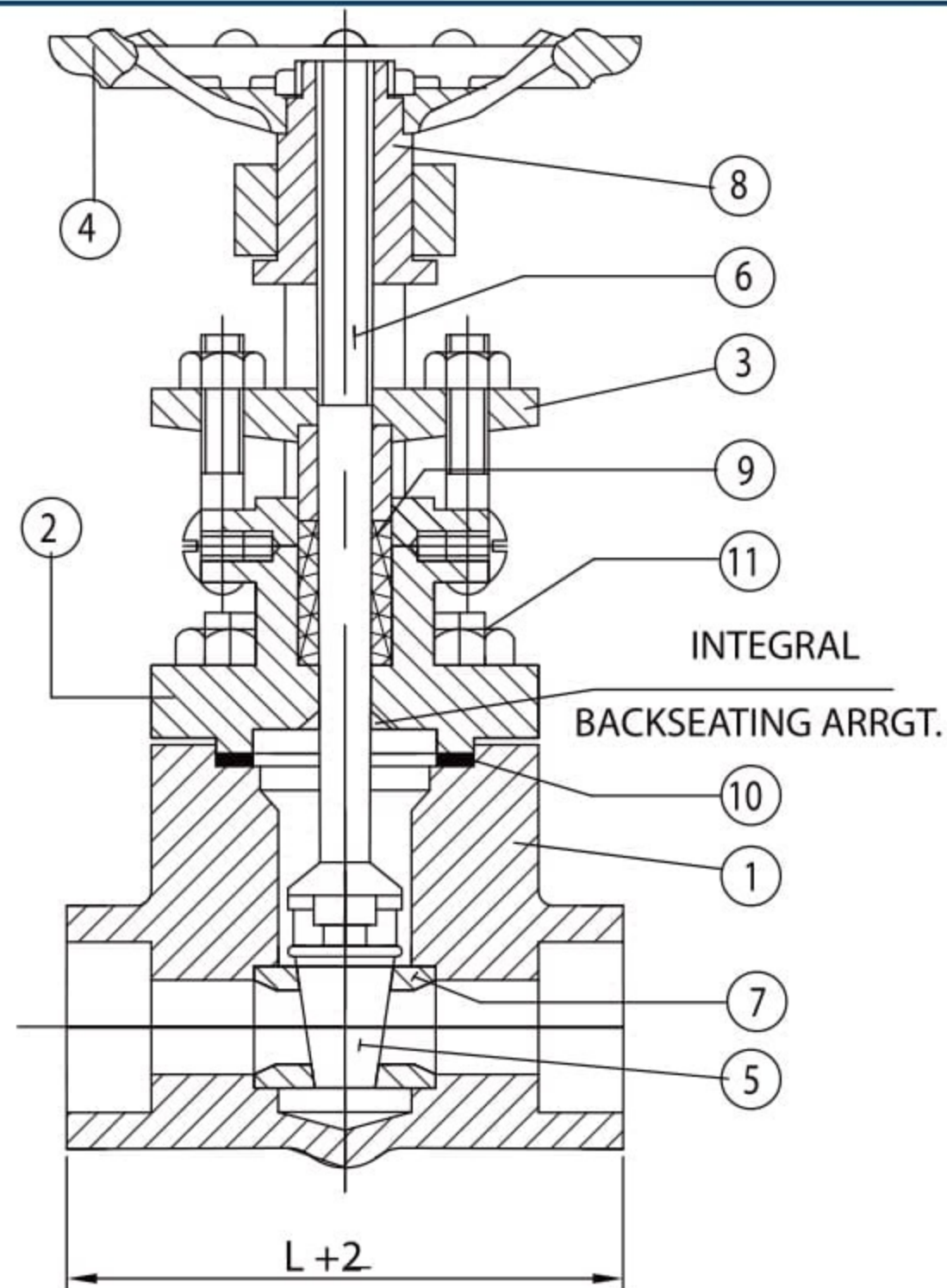


Technical Specifications - FORGED STEEL GATE VALVE (800)

<p>Type of Valve</p>	Forged Steel Gate Valves, Bolted Bonnet, Handwheel Operated, OS&Y Type, Rising Spindle, Solid Wedge, Renewable Body Seat-Rings, Integral Wedge Face-Rings, Integral Back Seat.
<p>Materials of Construction:</p> <p>a. Body, Bonnet, Yoke, Gland</p> <p>b. Wedge</p> <p>c. Stem & Back Seat Bush</p> <p>d. Body Seat-Rings</p> <p>e. Yoke Sleeve</p> <p>f. Gland Packing</p> <p>g. Gasket</p> <p>h. Bonnet Bolts & Nuts</p> <p>i. Eye-Bolts & Nuts</p> <p>j. Handwheel</p>	<p>Forged Steel To ASTM A 105</p> <p>AISI 410</p> <p>AISI 410</p> <p>13% Cr. Steel</p> <p>CS</p> <p>Jute & Hemp to IS 5414 or other material as per customer requirement.</p> <p>CAF</p> <p>ASTM A 193 Gr. B7 / A 194 Gr. 2 H</p> <p>CS To IS 1367 Class 4.6/4</p> <p>CS / MS Fabricated</p>
<p>Design</p>	API 602 Class 800.
<p>Dimension</p> <ul style="list-style-type: none"> • Face To Face • Flange Dimension & Drilling 	<p>API 602 Class 800</p> <p>Socket weld as per ANSI B 16.11 / Screwed to ANSI B 2.1 / IS 554 Parallel Thread</p>
<p>Hydraulic Test Pressure:-</p> <ul style="list-style-type: none"> • Body • Seat & Back Seat 	<p>211 Kg/Cm²</p> <p>140 Kg/Cm²</p>
<p>Range</p>	15 mm NB to 40 mm NB

Parts:

1. Body,
2. Bonnet
3. Gland
4. Handwheel
5. Wedge
6. Stem
7. Body Seat-Rings
8. Yoke Sleeve
9. Gland Packing
10. Gasket
11. Stud & Nuts



- Note**
- Description given is generalized, may vary as per requirement.
 - Specifications given above are subject to change as per revisions in standards without notice.
 - Quotations are based on customer's requirement and data. Customers are requested to send specific requirement for an offer.
 - All Sizes in millimeter

H. Sarker & Company Valves (P) Ltd.

Works: Phone: +91 33 2653 1214 / 0061 • eMail: hsb1t09@gmail.com
Regd. Office: Ajit Sen Bhawan, 13 Crooked Lane, 2nd Floor, Kolkatta 700 069.
 Phone: 033-22109163

